



UPSTATE BILLIARDS ASSOCIATION

Tim Brickle 820-8932 Chad Strong 489-3863
 Score Sheets: Fax (585)319-5016 or Email christine@rochesterpool.com
 Mail Dues To: UBA c/o Nan Wood, 1140 Brooktree Lane, Webster, NY 14580

Fall 2009-2010
TUESDAY
 IN HOUSE
Playoff – Rnd 4
 March 23, 2010

PLAYOFFS – ROUND 4

7pm: (away team @ home team)

8 Balls & A Pocket @ JJaws II (table 1)

**Immediately Following:
 (away team @ home team)**

Winner of Table 1 vs Run Out Boys (table 3)

BCA National Championships – May 13-22, 2010 @ Riviera Hotel & Casino in Las Vegas www.playbca.com

FOR EARLY BIRD REGISTRATION FEES **postmark your entry by Sunday, March 28th** – save \$\$\$

LAST DAY TO REGISTER – postmark by April 12th

34th Annual BCAPL 8 Ball Championship Newsletter [here](#)

⇒ **Individuals Tournament** – March 28th @ Six Pockets 12n Sign up 1pm Play
\$20 Entry Fee (\$10 towards prize money, \$10 towards purse for Vegas)
A,B,C brackets based on # of players

⇒ **Awards Banquet** – April 11th @ Six Pockets
TICKETS \$15 (Exciting Spring Season Announcements)

Give cash/check to Chad Strong (in marked envelope) or mail directly to:

UBA c/o Nan Wood
 1140 Brooktree Lane
 Webster, NY 14580

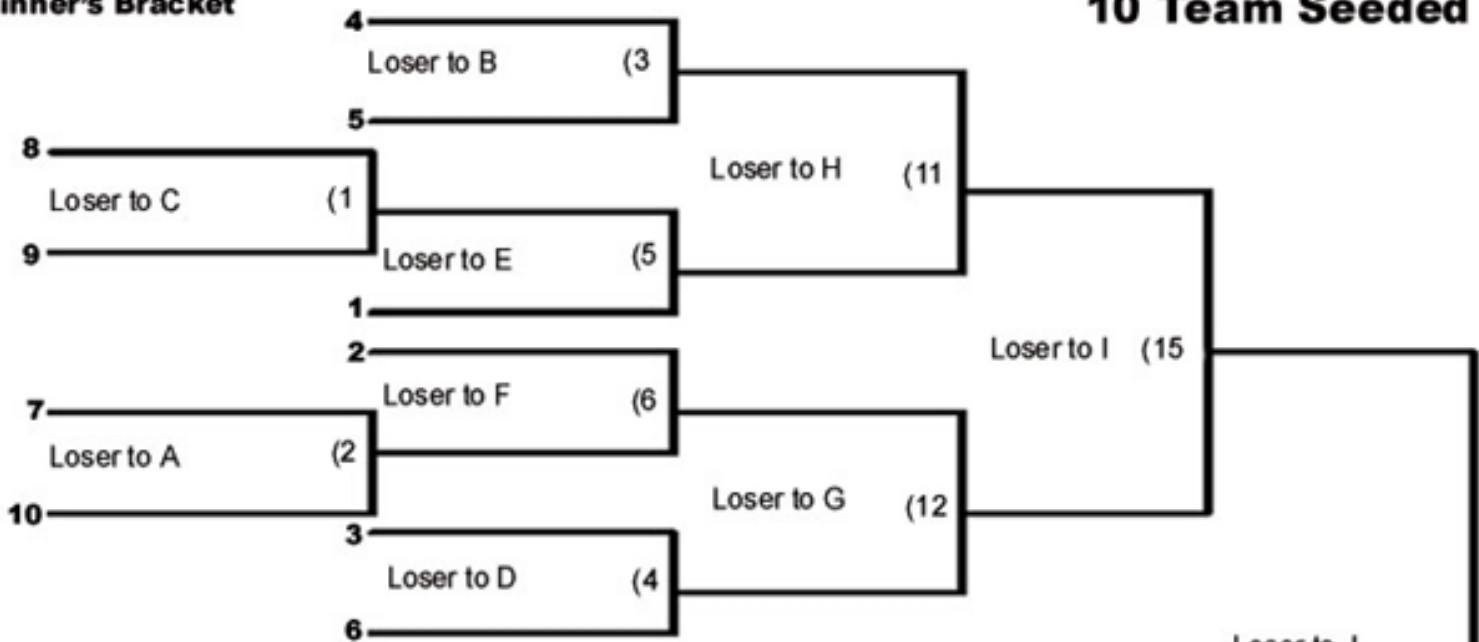
Make checks payable to UBA POOL -- **YOU MUST PREPAY, no tickets will be sold at Event!**

TEAM STANDINGS

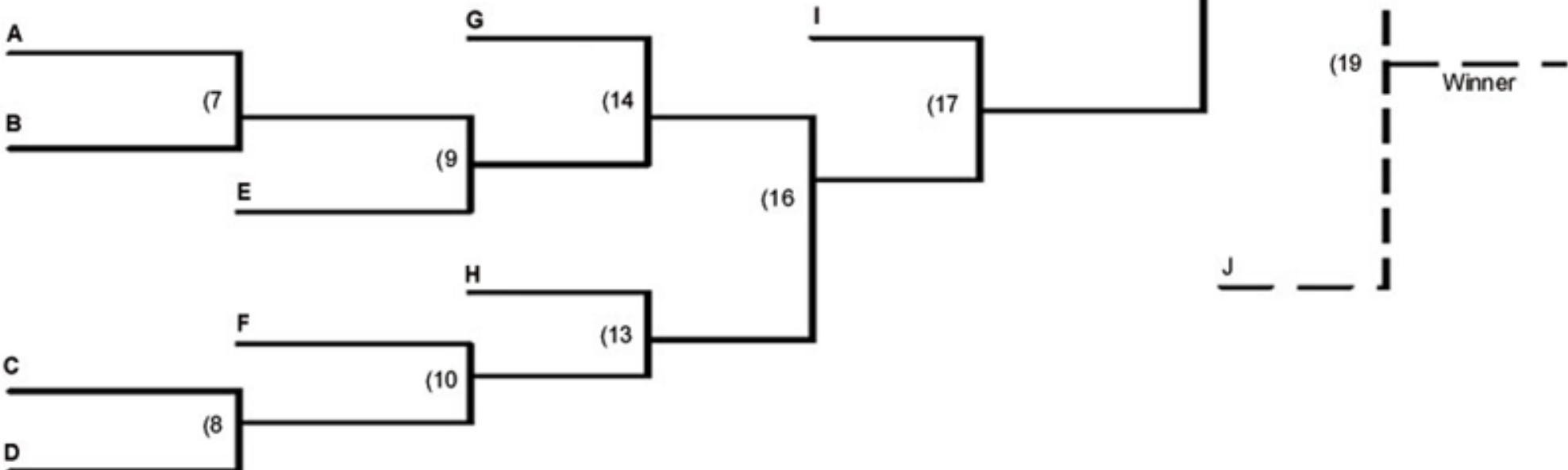
Place	Team	Rounds Won / Lost	Games Won / Lost	Points	Weeks
1	JJaws II	74 16	264 96	3101	20
2	The Run Out Boys	60.5 29.5	223 137	2931	20
3	Hat's Attack	54 36	234 125	2962	20
4	8 Balls and a Pocket	50 40	190 170	2780	20
5	Felt Up	45 45	195 165	2820	20
6	Ball's Out	45 45	181 175	2775	20
7	No Name	43 47	158 202	2734	20
8	The Breakers	40 50	159 199	2564	20
9	Who's Your Daddy?	20 70	85 270	2543	20
10	Bangout	18.5 71.5	104 254	2416	20

10 Team Seeded Double Elimination

Winner's Bracket



Loser's Bracket



Winner

J

Tuesday In-House League Payout – Fall 2009-2010

Choice D

INCOME

10 teams/20 weeks \$10,000.00

EXPENSES

3 Place Vegas Trip \$ 9,000.00

\$4 pay/point (5*18*5*4) 0.00

Trophies 0.00

5 & 0's 0.00

4 & 0's 0.00

Individuals 90.00

\$ 910.00

Banquet \$15/53 people 0.00

Prize Money Payouts \$ 910.00

1st Place: Vegas	\$3,000.00
2nd Place: Vegas	3,000.00
3rd Place: Vegas	3,000.00
4th Place: 35%	318.50
5th Place: 21%	191.10
6th Place: 13%	118.30
7th Place: 10%	91.00
8th Place: 8.5%	77.35
9th Place: 7.5%	68.25
10th Place: 5.0%	45.50



UPSTATE BILLIARDS ASSOCIATION

Tim Brickle 820-8932 Chad Strong 489-3863

Score Sheets: Fax (585)319-5016 or Email christine@rochesterpool.com

Mail Dues To: UBA c/o Nan Wood, 1140 Brooktree Lane, Webster, NY 14580

Fall 2009-2010

TUESDAY

IN HOUSE

Playoff – Rnd 2

March 9, 2010

INDIVIDUAL STANDINGS BY TEAM

Team	Player	HCP	AVG	Win %	Win / Loss	Pts	Wks	PS	RO	WZ	CW
------	--------	-----	-----	-------	------------	-----	-----	----	----	----	----

8 Balls & A Pocket	Player	HCP	AVG	Win %	Win / Loss	Pts	Wks	PS	RO	WZ	CW
	Millar, Don	9	8.53	73.61	53 19	614	18	4	13	0	7
	Iamele, Gil	8	7.83	56.94	41 31	564	18	1	3	1	7
	Goff, Lance	8	7.58	50	33 33	500	17	3	6	0	10
	Goff, Harry	7.5	7.38	52.5	21 19	295	15	1	2	0	4
	Zingo, Taz	7.5	7.02	43.55	27 35	435	17	0	0	1	3
	Hook, Shawn	6.5	6.51	31.71	13 28	267	15	1	0	1	2

Balls Out	Player	HCP	AVG	Win %	Win / Loss	Pts	Wks	PS	RO	WZ	CW
	Creamer, Mark	8.5	8.47	69.44	50 22	610	18	5	9	0	9
	Bondi, Eric	8	8.09	60.29	41 27	550	17	2	2	0	5
	Schranck, Jim	7	7.15	44.44	32 40	515	18	1	1	1	4
	Mattia, Domenic	7.5	6.74	43.06	31 41	485	18	1	0	0	4
	Arnett, Jerry	6.5	6.63	43.06	31 41	477	18	3	1	0	4

Bang Out	Player	HCP	AVG	Win %	Win / Loss	Pts	Wks	PS	RO	WZ	CW
	Guck, Paul	8.5	8.41	65.63	21 11	269	8	2	2	0	5
	Dutko, Barry	8.5	7.36	57.14	16 12	206	7	1	0	0	6
	Rodriguez, Mario	7.5	6.64	36.11	26 46	478	18	1	0	1	4
	Koehler, Don	6	5.71	20.69	12 46	331	15	0	0	0	3
	Fose, Dana	5	5.11	20	14 56	358	18	0	0	0	3
	Ramirez, Jeremiah	5.5	4.95	23.21	13 43	277	14	0	0	0	3

Felt Up	Player	HCP	AVG	Win %	Win / Loss	Pts	Wks	PS	RO	WZ	CW
	Morley, Rob	8.5	8.37	64.81	35 19	452	14	0	0	2	6
	Kanaya, Hiro	8	8.25	68.06	49 23	594	18	4	5	3	9
	Cartwright, Dan	7.5	7.32	51.39	37 35	527	18	2	2	1	4
	Leckinger, David	7.5	7.25	54.55	24 20	319	12	4	1	0	7
	Stock, Jessica	7	7.09	48.53	33 35	482	17	0	0	1	4
	Bullard, Vanessa	7	6.88	41.18	14 20	234	9	1	0	0	4
	Barbe, Charlie	8	5.63	37.5	3 5	45	2	0	1	0	1

Hat's Attack	Player	HCP	AVG	Win %	Win / Loss	Pts	Wks	PS	RO	WZ	CW
	Foley, Kirk	9	8.93	79.17	57 15	643	18	7	6	0	27
	Pentycofe, Dave	8.5	8.54	69.44	50 22	615	18	5	6	0	15
	Payne, Cory	8.5	8.38	68.06	49 23	603	18	3	5	0	9
	Naccarella, Jim	8.5	8.33	65.28	47 25	600	18	4	3	0	9
	Blessing, Bob	7.5	7.52	52.17	12 11	173	6	1	0	0	6
	Hager, Mindy	8.5	7.34	47.73	21 23	323	11	1	2	0	5



UPSTATE BILLIARDS ASSOCIATION

Tim Brickle 820-8932 Chad Strong 489-3863

Score Sheets: Fax (585)319-5016 or Email christine@rochesterpool.com

Mail Dues To: UBA c/o Nan Wood, 1140 Brooktree Lane, Webster, NY 14580

Fall 2009-2010

TUESDAY

IN HOUSE

Playoff – Rnd 2

March 9, 2010

JJAWS II	Duval, Jarvis	9.5	9.17	80.56	58	14	660	18	6	8	1	11
	Gibson, Jeremy	9.5	9.15	81.25	39	9	439	12	6	6	2	14
	Driesbach, Paul	9	8.92	77.78	56	16	642	18	6	13	2	12
	Gibson, Andy	9.5	8.82	76.47	52	16	600	17	5	15	0	10
	Luce, Web	8.5	8.38	65.38	34	18	436	13	3	5	1	9
	Young, Kevin	9	8	62.5	25	15	320	10	2	7	1	11

NO NAME	Fantigrossi, Justin	7.5	7.66	50	16	16	245	8	2	0	0	7
	Pellegrino, Nat	7.5	7.63	54.69	35	29	488	16	1	0	1	5
	Napoli, Al	7.5	7.26	44.44	32	40	523	18	0	0	0	4
	Cole, Barbara Jean	7.5	7.19	38.89	14	22	259	9	1	0	0	5
	Atkins, Walter	7	7	45.59	31	37	476	17	2	1	0	4
	Marincic, Emil	7	6.76	42.65	29	39	460	17	0	0	0	4
	Bellomio, Mike	4.5	4.5	8.33	1	11	54	3	0	0	0	1

THE BREAKERS	Curry, Henry	9.5	9.25	75	3	1	37	1	0	0	0	3
	Murray, Tanya	8	7.85	54.17	26	22	377	12	1	0	0	9
	Miller, Charlie	8	7.65	55	11	9	153	5	1	0	0	6
	Paradis, Bruce	7.5	7.5	43.75	7	9	120	4	0	0	1	2
	Ferron, Kevin	7	7.19	50	34	34	489	17	1	1	0	7
	Ritz, Doug	7.5	7.15	45.83	33	39	515	18	2	1	0	6
	Collins, Victor	7.5	7	50	10	10	140	5	0	0	0	3
	Kendrick, Leroy	7	7	48.61	35	37	504	18	1	3	0	5

THE RUN OUT BOYS	Candelaria, Alex	8.5	8.66	72.58	45	17	537	16	4	1	0	7
	Ortiz, Tito	9.5	8.52	74.19	46	16	528	18	6	7	0	10
	Strong, Chad	8.5	8.44	70.97	44	18	523	17	4	7	1	8
	Fraley, Tom	8.5	7.8	62	31	19	390	13	3	7	2	6
	Ingahm, Bill	7.5	7.6	51.61	32	30	471	17	3	2	0	6
	Jackson, Jay	7	7.23	40.32	25	37	448	17	0	1	0	3

WHO'S YOUR DADDY	Leckinger, Jeremy	7.5	7.47	48.33	29	31	448	15	1	0	1	6
	Laboda, Bob	7	6.28	33.33	20	40	377	15	0	1	0	4
	Leckinger Sr, Dave	6.5	6.19	32.81	21	43	396	16	0	0	0	3
	Whelehan, Jason	5.5	5.5	23.08	12	40	286	13	0	0	0	2
	Conole, Mike	4	3.5	2.5	1	39	140	10	0	0	0	1
	Conole, Julia	3	3.09	9.38	6	58	198	16	0	0	0	1



UPSTATE BILLIARDS ASSOCIATION

Tim Brickle 820-8932 Chad Strong 489-3863

Score Sheets: Fax (585)319-5016 or Email christine@rochesterpool.com

Mail Dues To: UBA c/o Nan Wood, 1140 Brooktree Lane, Webster, NY 14580

Fall 2009-2010

TUESDAY

IN HOUSE

Playoff – Rnd 2

March 9, 2010

INDIVIDUAL STANDINGS BY PLAYER

Place	Player	AVG	Win %	Win / Loss	Pts	Wks	PS	RO	WZ	CW
1	Curry, Henry	9.25	75	3 1	37	1	0	0	0	3
2	Duval, Jarvis	9.17	80.56	58 14	660	18	6	8	1	11
3	Gibson, Jeremy	9.15	81.25	39 9	439	12	6	6	2	14
4	Foley, Kirk	8.93	79.17	57 15	643	18	7	6	0	27
5	Driesbach, Paul	8.92	77.78	56 16	642	18	6	13	2	12
6	Gibson, Andy	8.82	76.47	52 16	600	17	5	15	0	10
7	Candelaria, Alex	8.66	72.58	45 17	537	16	4	1	0	7
8	Pentycofe, Dave	8.54	69.44	50 22	615	18	5	6	0	15
9	Millar, Don	8.53	73.61	53 19	614	18	4	13	0	7
10	Ortiz, Tito	8.52	74.19	46 16	528	18	6	7	0	10
11	Creamer, Mark	8.47	69.44	50 22	610	18	5	9	0	9
12	Strong, Chad	8.44	70.97	44 18	523	17	4	7	1	8
13	Guck, Paul	8.41	65.63	21 11	269	8	2	2	0	5
14	Payne, Cory	8.38	68.06	49 23	603	18	3	5	0	9
15	Luce, Web	8.38	65.38	34 18	436	13	3	5	1	9
16	Morley, Rob	8.37	64.81	35 19	452	14	0	0	2	6
17	Naccarella, Jim	8.33	65.28	47 25	600	18	4	3	0	9
18	Kanaya, Hiro	8.25	68.06	49 23	594	18	4	5	3	9
19	Bondi, Eric	8.09	60.29	41 27	550	17	2	2	0	5
20	Young, Kevin	8	62.5	25 15	320	10	2	7	1	11
21	Murray, Tanya	7.85	54.17	26 22	377	12	1	0	0	9
22	Iamele, Gil	7.83	56.94	41 31	564	18	1	3	1	7
23	Fraley, Tom	7.8	62	31 19	390	13	3	7	2	6
24	Fantigrossi, Justin	7.66	50	16 16	245	8	2	0	0	7
25	Miller, Charlie	7.65	55	11 9	153	5	1	0	0	6
26	Pellegrino, Nat	7.63	54.69	35 29	488	16	1	0	1	5
27	Ingahm, Bill	7.6	51.61	32 30	471	17	3	2	0	6
28	Goff, Lance	7.58	50	33 33	500	17	3	6	0	10
29	Blessing, Bob	7.52	52.17	12 11	173	6	1	0	0	6
30	Paradis, Bruce	7.5	43.75	7 9	120	4	0	0	1	2
31	Leckinger, Jeremy	7.47	48.33	29 31	448	15	1	0	1	6
32	Goff, Harry	7.38	52.5	21 19	295	15	1	2	0	4
33	Dutko, Barry	7.36	57.14	16 12	206	7	1	0	0	6
34	Werner-Hager, Mindy	7.34	47.73	21 23	323	11	1	2	0	5
35	Cartwright, Dan	7.32	51.39	37 35	527	18	2	2	1	4
36	Napoli, Al	7.26	44.44	32 40	523	18	0	0	0	4
37	Leckinger, David	7.25	54.55	24 20	319	12	4	1	0	7
38	Jackson, Jay	7.23	40.32	25 37	448	17	0	1	0	3
39	Ferron, Kevin	7.19	50	34 34	489	17	1	1	0	7
40	Cole, Barbara Jean	7.19	38.89	14 22	259	9	1	0	0	5



UPSTATE BILLIARDS ASSOCIATION

Tim Brickle 820-8932 Chad Strong 489-3863

Score Sheets: Fax (585)319-5016 or Email christine@rochesterpool.com

Mail Dues To: UBA c/o Nan Wood, 1140 Brooktree Lane, Webster, NY 14580

Fall 2009-2010

TUESDAY

IN HOUSE

Playoff – Rnd 2

March 9, 2010

INDIVIDUAL STANDINGS BY PLAYER (cont.)

Place	Player	AVG	Win %	Win / Loss	Pts	Wks	PS	RO	WZ	CW
41	Ritz,Doug	7.15	45.83	33 39	515	18	2	1	0	6
42	Schranck,Jim	7.15	44.44	32 40	515	18	1	1	1	4
43	Stock,Jessica	7.09	48.53	33 35	482	17	0	0	1	4
44	Zingo,Taz	7.02	43.55	27 35	435	17	0	0	1	3
45	Collins,Victor	7	50	10 10	140	5	0	0	0	3
46	Atkins,Walter	7	45.59	31 37	476	17	2	1	0	4
47	Kendrick,Leroy	7	48.61	35 37	504	18	1	3	0	5
48	Bullard,Vanessa	6.88	41.18	14 20	234	9	1	0	0	4
49	Marincic,Emil	6.76	42.65	29 39	460	17	0	0	0	4
50	Mattia,Domenic	6.74	43.06	31 41	485	18	1	0	0	4
51	Rodriguez,Mario	6.64	36.11	26 46	478	18	1	0	1	4
52	Arnett,Jerry	6.63	43.06	31 41	477	18	3	1	0	4
53	Hooock,Shawn	6.51	31.71	13 28	267	15	1	0	1	2
54	Laboda,Bob	6.28	33.33	20 40	377	15	0	1	0	4
55	Leckinger Sr,Dave	6.19	32.81	21 43	396	16	0	0	0	3
56	Koehler,Don	5.71	20.69	12 46	331	15	0	0	0	3
57	Barbe,Charlie	5.63	37.5	3 5	45	2	0	1	0	1
58	Whelehan,Jason	5.5	23.08	12 40	286	13	0	0	0	2
59	Fose,Dana	5.11	20	14 56	358	18	0	0	0	3
60	Ramirez,Jeremiah	4.95	23.21	13 43	277	14	0	0	0	3
61	Bellomio,Mike	4.5	8.33	1 11	54	3	0	0	0	1
62	Conole,Mike	3.5	2.5	1 39	140	10	0	0	0	1
63	Conole,Julia	3.09	9.38	6 58	198	16	0	0	0	1